

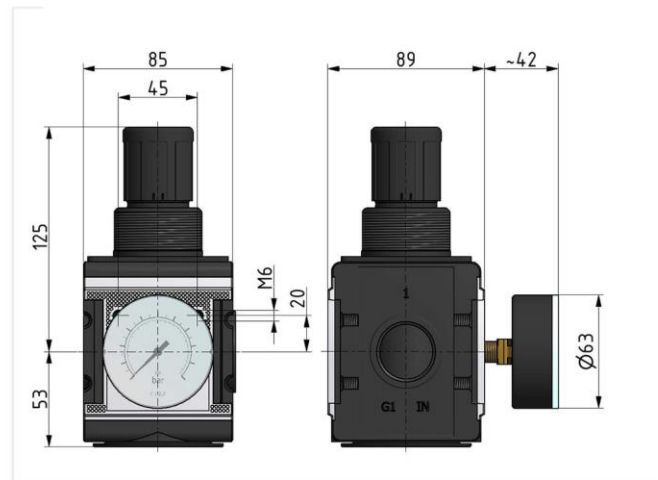
»multifix« series

Reversible diaphragm pressure regulators, independent of inlet pressure, with self-relieving design. The pressure setting can be locked by pushing the button down.

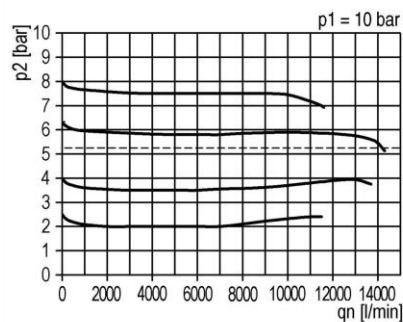
| | |
|---------------------------|--|
| Max. input pressure: | 16 bar |
| Medium temperature: | -10 to 60 °C |
| Ambient temperature: | -10 to 60 °C |
| Spring bonnet: | POM-brass |
| Sealant: | NBR |
| Flow rate measurement: | At $P_1 = 8$ bar, $P_2 = 6$ bar and pressure drop $\Delta p = 1$ bar |
| Internal air consumption: | Depending on secondary pressure |

| Pressure regulator incl. pressure gauge | | | | | | | |
|---|-----------|--------|--------------------|-------------------|-----------------|------|----|
| Art. No. | Type No. | Thread | Housing | Control range bar | Flow rate l/min | Size | DN |
| 133103 | R 45 - 10 | G 1 | Die-cast aluminium | 0.5 - 10 | 12500 | 4 | 25 |

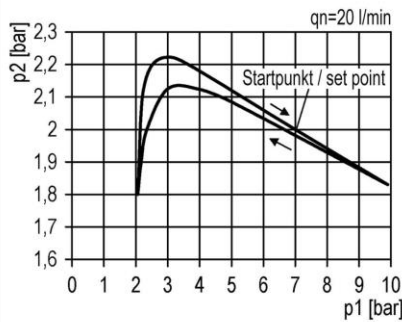
| Accessories / spare parts | | |
|---------------------------|-----------|--|
| Art. No. | Type No. | Description |
| 135858 | ZW 45 | Mounting bracket with 2 screws |
| 135857 | KP 45 | Coupler pack for modular assembly of several devices |
| 135855 | 22.1845.4 | Set of wearing parts |



flow characteristic



pressure characteristic



symbol

